

## Product parameters

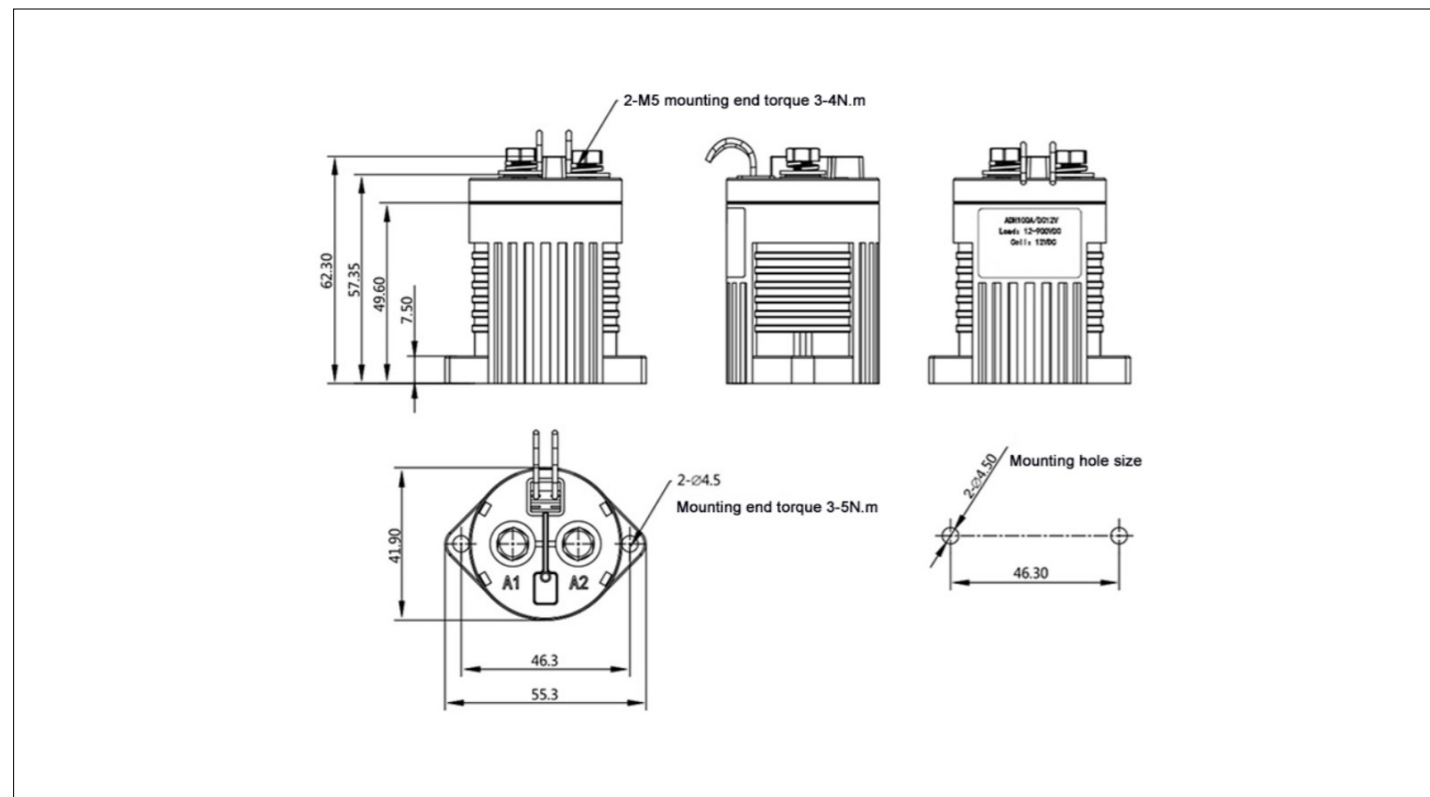
Rated current	100A	Rated voltage	12V/24V
Model	ADH-100/900	Contact form	1 NO
Coil voltage	12V, 24V, etc.	Export mode	M5 internal thread
Temperature	-40°C~+85°C	Voltage	12VDC: 9~16V 24VDC:18~32V
Humidity	5~95%RH	Power waste	12VDC: ≥5.5W 24VDC: ≥6W
Dimension	55mm*42mm*62mm	Coil resistance	12VDC: 26MΩ 24VDC: 96MΩ
Weight	700g	Starting current	12VDC: 0.46A 24VDC: 0.25A



## Features

- |                           |                          |
|---------------------------|--------------------------|
| 1. Epoxy sealing          | 1. Small volume          |
| 2. Low energy consumption | 2. Light weight          |
| 3. Low fever              | 3. High switching power  |
| 4. Long service life      | 4. IP67 protection grade |

## Installation drawing



## Product parameters

Rated current	100A	Rated voltage	12V/24V
Model	ADH-100-E	Contact form	1 NO
Coil voltage	8~36V	Export mode	M5 internal thread
Temperature	-40°C~+85°C	Voltage	8~36V
Humidity	5~95%RH	Power waste	2~2.3W
Dimension	55mm*50mm*62mm	Coil resistance	4.7MΩ
Weight	700g	Starting current	1.5A



## Features

- |                           |                          |
|---------------------------|--------------------------|
| 1. Epoxy sealing          | 1. Small volume          |
| 2. Low energy consumption | 2. Light weight          |
| 3. Low fever              | 3. High switching power  |
| 4. Long service life      | 4. IP67 protection grade |

## Installation drawing

